

# COMCAM

## SERIES 10 FIXED LENS IP DIGITAL VIDEO CAMERA



**COMCAM-10FL**  
Entry level fixed lens  
consumer model IP Camera

### COMCAM-10FL Specification

The ComCam-10 series, incorporates the most advanced video capture, compression, analysis and transmission capabilities in the market today. ComCam-10 technology works in all wired and wireless networks, including the Internet and company intranets. The ComCam-10 system adheres to licensed standards (e.g., cell phone) and unlicensed standards (e.g., the IEEE 802.11b Wireless standard and Bluetooth).

The ComCam-10 system allows the user to capture and store live video feeds locally on a hard drive inside the camera for later transmission and to send the video immediately to a receiver for playback or storage and to do so over any network, including previously inaccessible wireless networks. The high level of integration achieved by ComCam-10 technology provides for efficient capture and transmission of video with only minimal power consumption required, even as little as generated from solar panels.

### Functions:

Two serial ports (RS232/485), seven I/O lines for controls and sensing applications, internal hard drive support up to maximum available IDE capacity. COMCAM-10 products have a 10 Base-T port and support PCMCIA type wireless network cards including 802.11, cell phone internal/external telco modems.

ComCam products come bundled with a PC application called C3 (for ComCam Control Center). C3 is a powerful viewer/recorder scripting engine useful for many different applications. The products are supported by browser plug-ins and a Software Development Kit (SDK) with application interfaces for complete control of application development.

### C3 Software Features:

#### Viewing

1-36 live camera control  
Customizable video overlays

User-adjustable frame quality  
Motion sensing  
View On-camera files  
Local file storage  
Port Mapping

#### Recording

Event-based alarm  
Lapse Recording  
Calendar-based playback

#### Scripting (JavaScript)

Event-based scripting  
Time-based scripting  
Smart Domes  
(SONY Philips, Pelco, etc.)  
Measuring Equipment

#### Security Features

Access Control  
Encryption

#### Available SDK

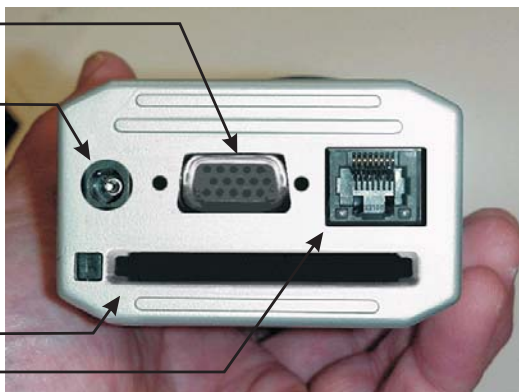
C++ Library  
ActiveX (Browser friendly)

RS232/485 (2)  
VIDEO OUT, I/O lines

Power Supply

PCMCIA Type 2

10 Base-T Ethernet



**Back Panel**

### C3 VIEWER



**Performance**

Sensitivity <10 lux  
 Shutter speed 1/60 to 1/10000s  
 Resolution 300 TV lines

Camera case Dimensions 142mm x 45mm x 75mm  
 (5.6" x 1.8" x 7.5")

Material Extruded Aluminum  
 Weight 300g (13.5oz)

**Sensor Specifications**

Sensor: CMOS VGA

High S/N  
 High Resolution  
 Anti-blooming , zero smearing

Device Structure: Single Chip CMOS  
 Image size: type 1/3  
 Effective pixels: 640(H) x 480 (V) approx. 300K pixels  
 Total pixels: 644(H) x 492 (V) approx. 320K pixels  
 Chip size: 4.86mm (H) x 3.64mm (V)

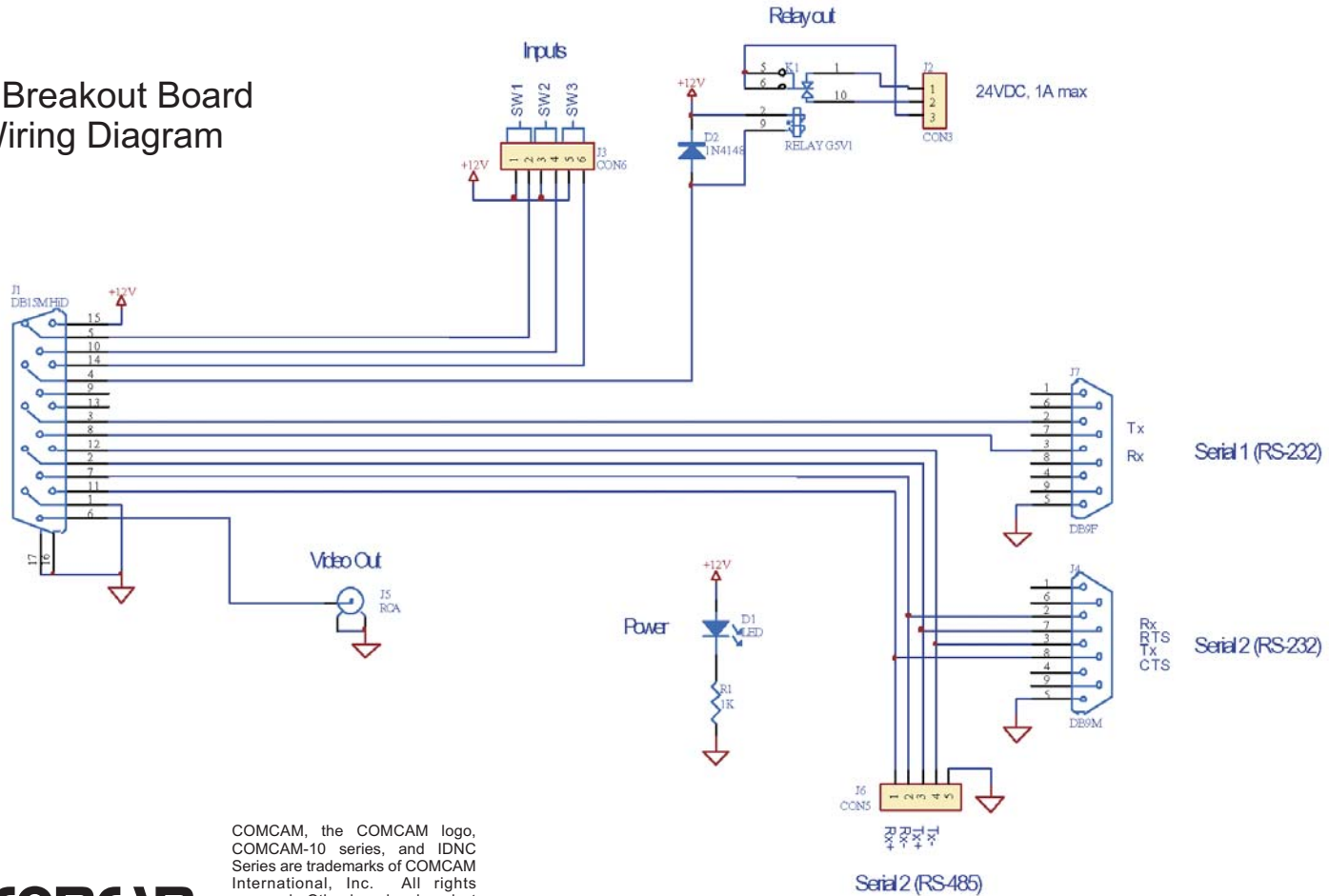
Array Elements: 664x492  
 Pixel Size: 7.6 x 7.6 μm  
 Scan Mode: interlace  
 Electronic Exposure: 500:1  
 Minimum Illumination: 2.5 lux @ f1.4  
 0.5 lux @ f1.4  
 S/N Ratio >48dB

Motion detection	Video based user programmable size and sensitivity
Compression	Wavelet - 4:1 (visually loss-less) to 750:1 3K-20K Typical Frame
Protocols	TCP/IP, PPP, FTP, UDP
Microprocessor	PowerPC/DSP
16Mb RAM 4Mb FLASH	Pre/post video storage Server, OS, user preferences
Optional Storage	Flash memory to 1G, internal hard drive to 4GB, external hard drive to IDE max
Real time clock	1 sec resolution, internal battery backup
I/O	3 optically isolated inputs, 3 fault protected current sink
Outputs	
Indicator LED's (2)	Link, Data
Camera mount	1/4 threaded holes top and bottom
Power Supply	8-28VDC (12VDC nominal) with surge and reverse-voltage Protection
Current consumption	800mA operational (@12VDC), 135uA standby mode
Environmental	0° -55° C (32° -131° F), 0-85% RH non-condensing

**I/O Breakout Board Wiring Diagram**

**COMCAM-10**

- 15 - +12V
- 5 - IN1
- 10 - IN2
- 14 - IN3
- 4 - OUT1
- 9 - OUT2
- 13 - OUT3
- 3 - Serial 1 Tx
- 8 - Serial 1 Rx
- 12 - Serial 2 Tx
- 2 - Serial 2 RTS
- 7 - Serial 2 Rx
- 11 - Serial 2 CTS
- 1 - GND
- 6 - Video out



COMCAM, the COMCAM logo, COMCAM-10 series, and IDNC Series are trademarks of COMCAM International, Inc. All rights reserved. Other brand and product names are trademarks or registered trademarks of their respective holders. Product specifications are subject to change without notice.